

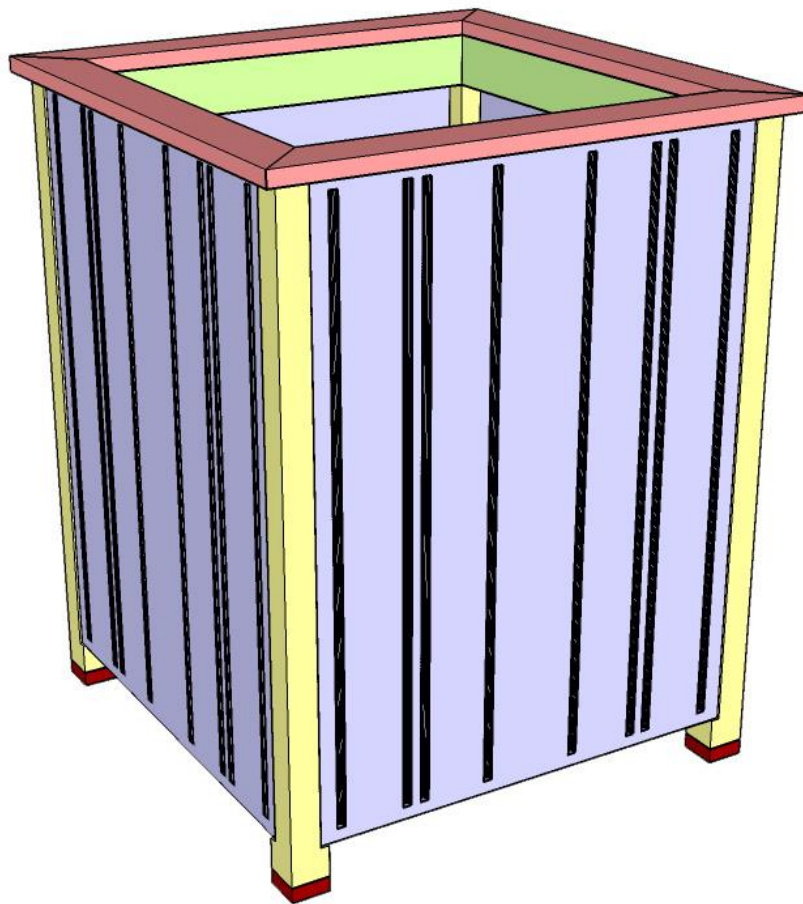


FIXIT FINGERS
Woodworking



Planter Boxes

*Free Plans for use
with YouTube Build Video*



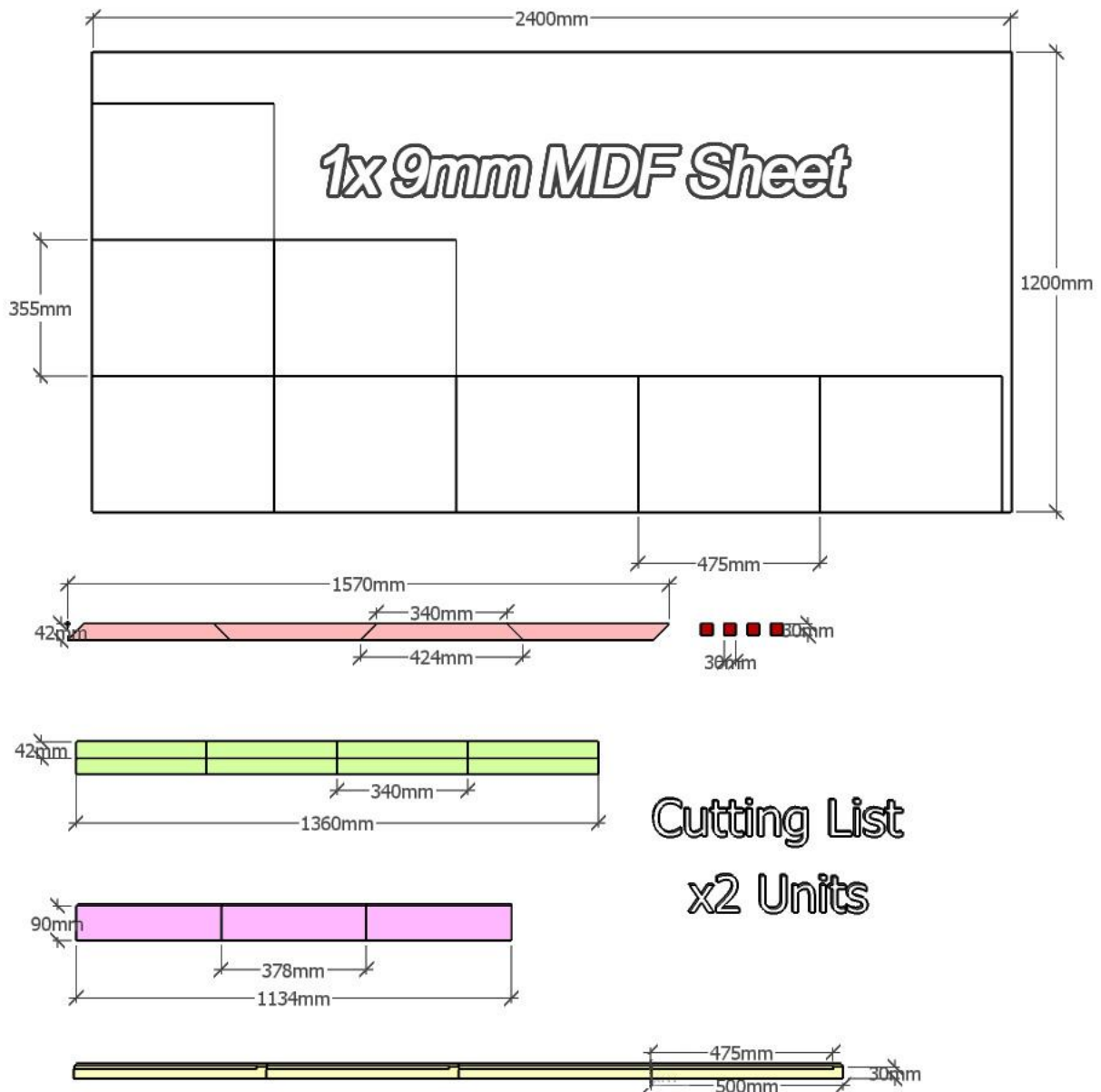
Finished Build View

Planter Box Plans

Cost Calculator & Shopping List (Prices in March 2019)

Material	Length Needed	Product	\$ Per Unit	For 2 Boxes Buy
30x30 Pine	50cm x4 = 2m	30x30 Pine DAR 2.4m	\$ 7.65	2 Units
30x12 Meranti	42cm x4 = 1.68m	30x12mm Meranti DAR 1.8m	\$ 3.91	2 Units
9mm MDF	710x950	9mm MDF Sheet	\$ 12.60	1 Sheet
42x19 Pine	34cm x8 = 2.72m	42x19 DAR 3m	\$ 6.33	6m
90x19 Pine	378mm x3 = 1.134m	90x19 DAR 1.2m	\$ 4.64	2.5m
Total			\$ 35.13	\$70 for the pair

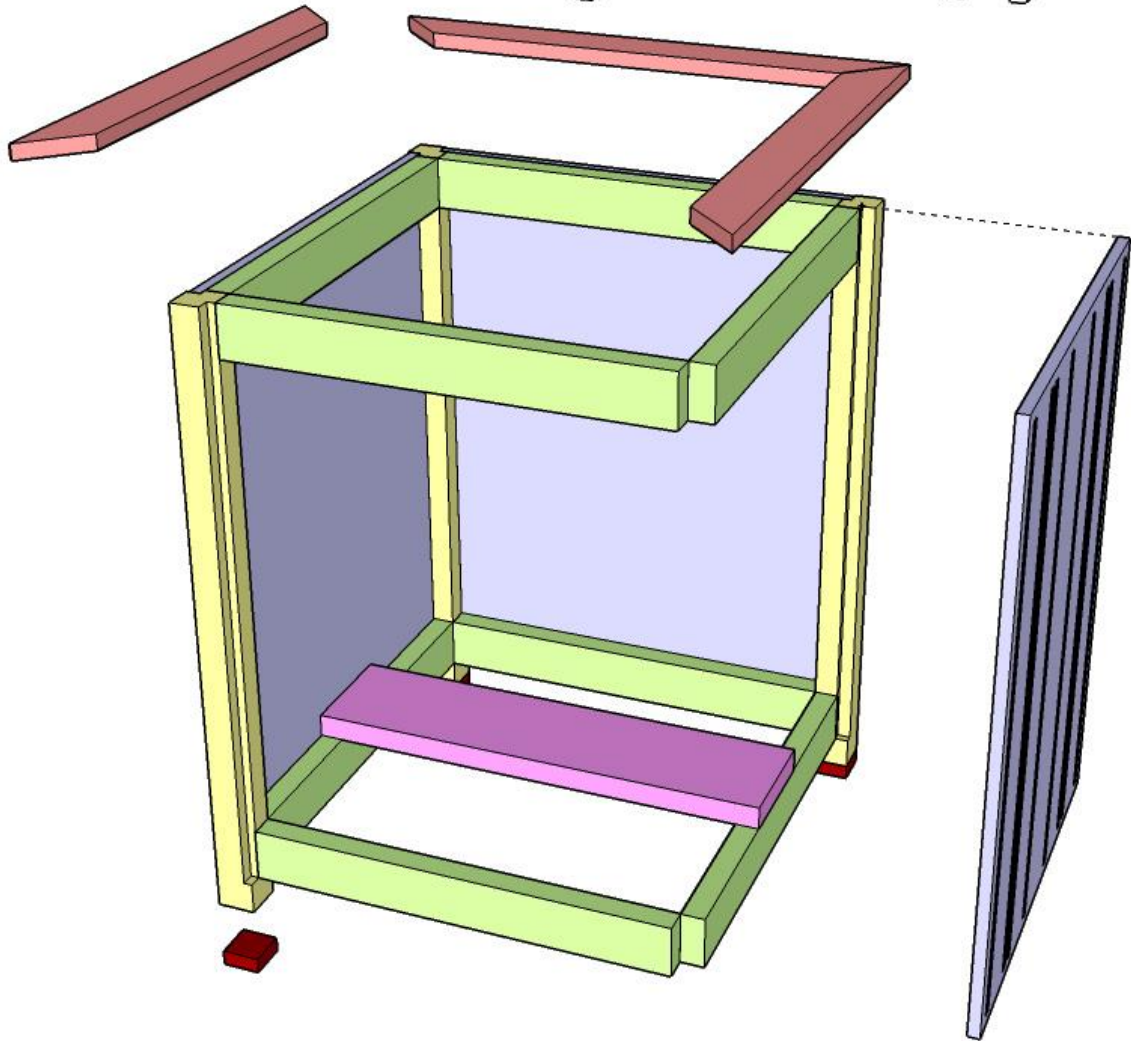
I got my wood from both Bunnings and my local Timber yard. A sheet of MDF is cheaper than two half sheets so there'll be leftovers. Cost doesn't include hardware, paint or consumables. The feet are made from offcuts of the mitred top-cap in red.



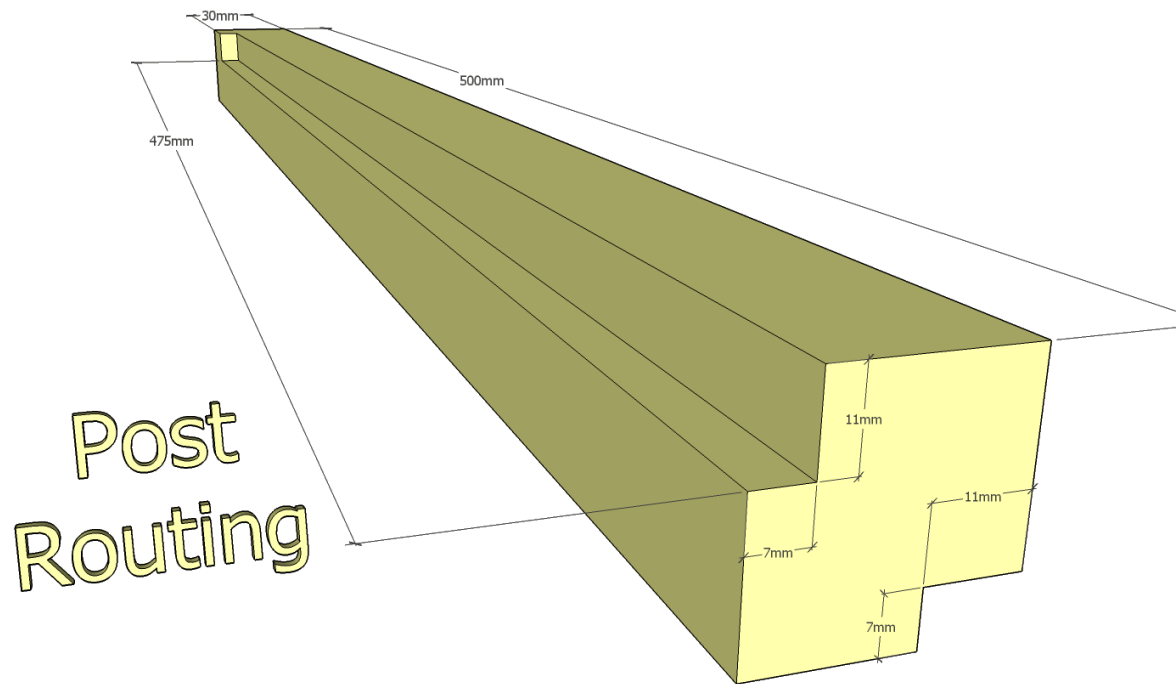
Planter Box Plans

Not shown are the pocket-holes or other fasteners due to my novice Sketchup ability. Check out the build video on my YouTube channel for step-by-step instructions to go along with these plans. I also don't have the decorative routing shown which is an optional and variable additional according to your liking. I didn't end up using the same number of grooves on the panels in my build as are on these plans anyway. Be creative! It is a great chance to personalise this piece. Again, the build video will give you ideas, or you can keep it simple.

Joinery View



Planter Box Plans



This is the trickiest part of the build. Take your time and triple check your stop blocks and geometry when making these routes.

I hope you enjoy the build and find these plans (my first) useful.

Find me on Social Media if you have any questions.

